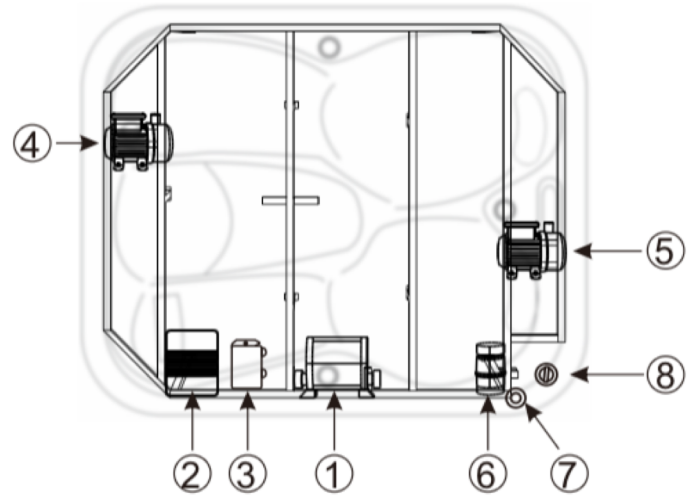
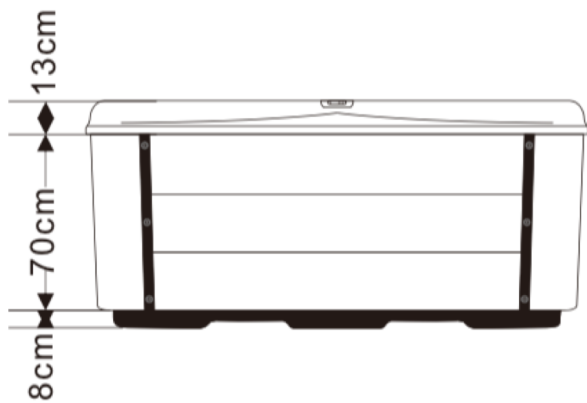
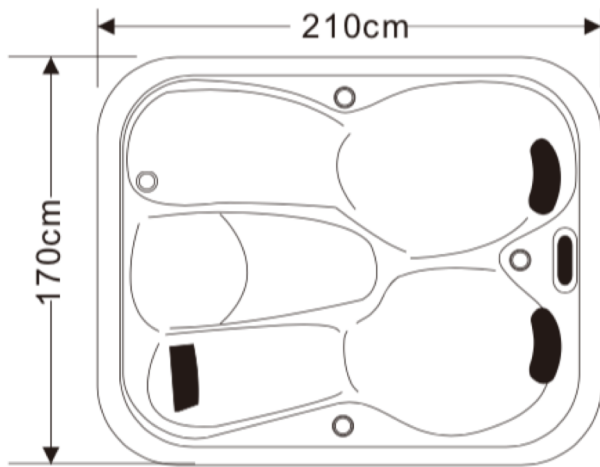


# Dossier TECHNIQUE FRIGULA



1	Balboa BP System
2	Ozoner Generator(KOZG-1)
3	LED Synchronizer(KLEDS-1)
4	LX Circulate Pump(WTC-50M)
5	LX Whirlpool Pump(LP300)
6	Air Blower(APB400)
7	Cable
8	Drain

## BE SPA